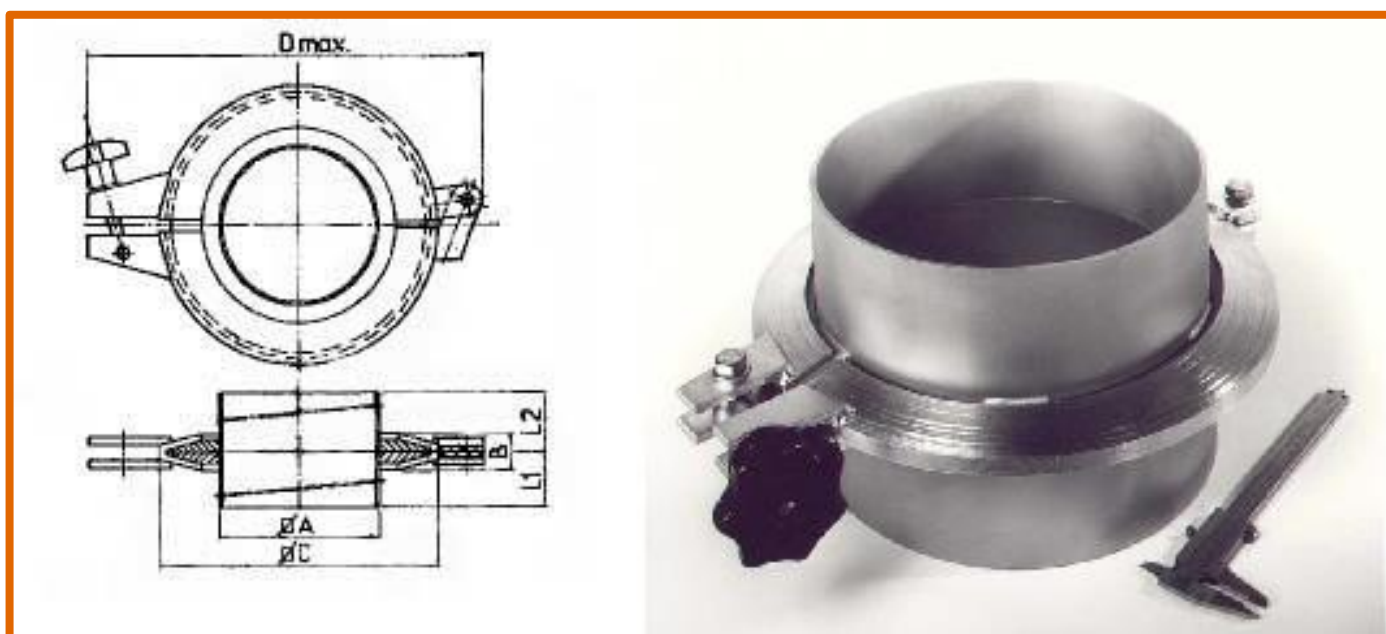


## ECS V-grip Quick Release

The ECS V-grip is an extremely **solid rapid action connector** for all your pipe connections. The device is used at locations where operators and service engineers are required to repeatedly, rapidly and simply (dis)assemble pipe connections. The standard electrolytic, galvanised steel version is supplied without an O-ring seal. The flanges are forced together all-round, by the clamping force of the V-connection. A pipe section fitted with these connectors can therefore be simply and rapidly uncoupled, without removing the connection pipe. Depending on your application and wishes, a suitable solution will be provided.



Dimensions	Ø A	B	Ø C	D-max
2"	60	25	130	204
2,5"	73	25	144	236
4"	114	25	192	266
6"	168	30	255	352
8"	219	30	305	449
10"	273	30	360	457
12"	323	30	419	545
14"	355	30	454	570

**Ask for more information for your application!**

